



Industries and Applications-Silicone Rubber Heaters...

Heating of Electronic Components- ATM's and Photocopiers, Heating of Aerospace Instrumentation- Satellites and Spacecraft, Semiconductor Wafer Processing, Autoclaves, Incubators and Sterilizers, Vacuum Chambers, Medical Imaging, Medical Diagnostic Instruments and Analyzers, Heat Tracing and Freeze Protection. Many other applications requiring a flexible shape or design as shown below.

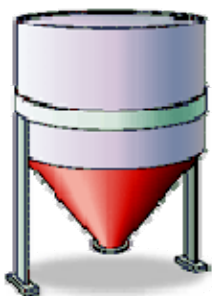
Inquiries & Technical Support 1-877-674-9744



sales@npheaters.com

Other Industries and Applications-Silicone Flexible Heaters-Images

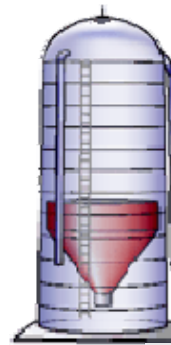
- Drum & Tank Heaters
- Preheat molds for carbon fiber
- Moisture protection in electronics
- Battery and oil heating
- security camera enclosures
- Fuel cells, power meters, transmission
- wafer fabrication
- warming cabinets in food industry



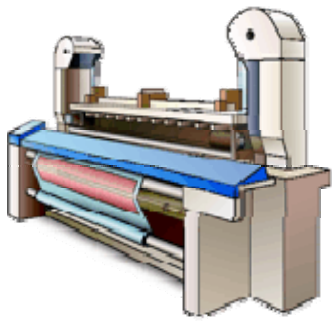
For powder dehumidifying



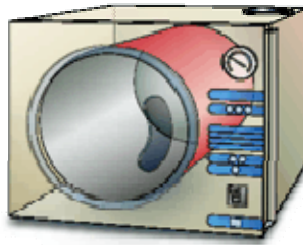
Heaters for ink fixation in high-speed copy machines



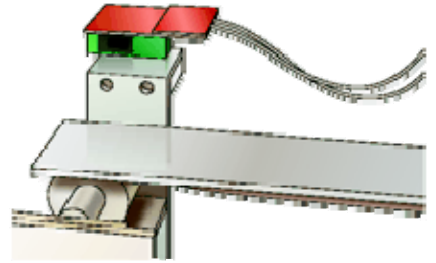
Silo hopper freeze protection



Digital Imaging Printers



Medical Instruments



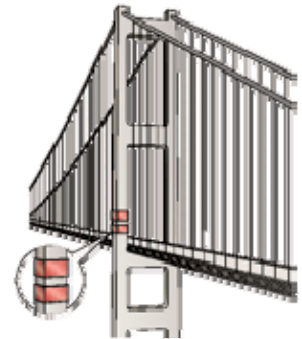
Conveying Systems



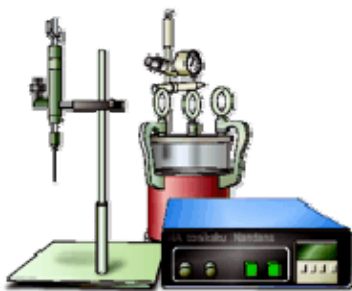
Drum Heating



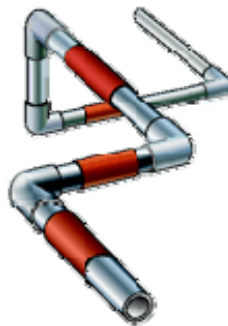
Hopper Freeze Protection



Preheating devices for welding used in bridge piers.



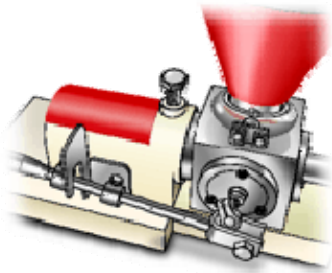
Medical Diagnostic Instruments and Analyzers



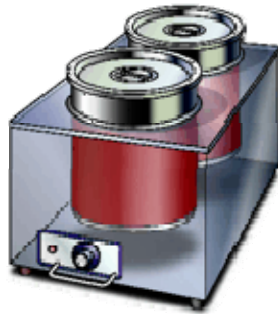
Pipe heat tracing applications



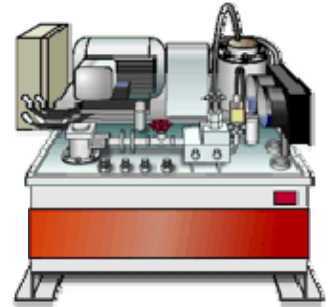
Cameras



Industrial Machinery



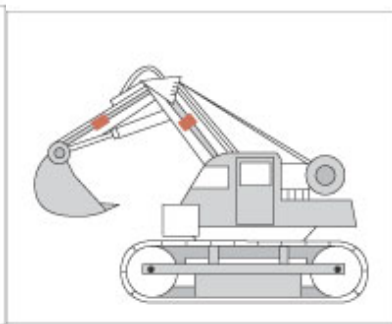
Sterilizers



Medical Equipment



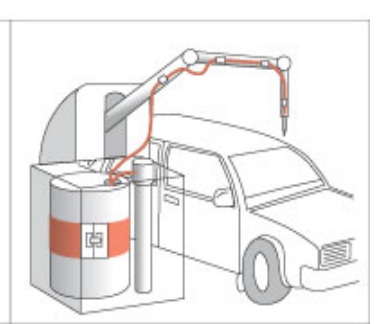
Antennas and Satellites



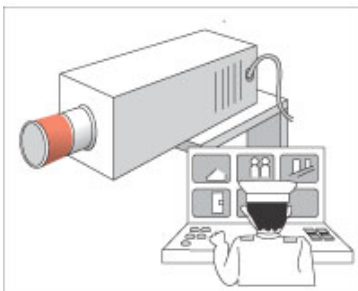
Construction Equipment



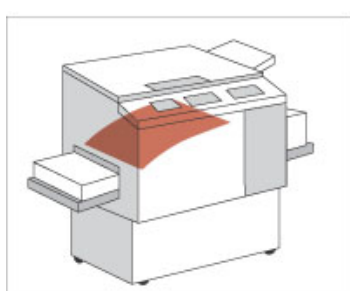
Bridges



Drums for Gas Stations



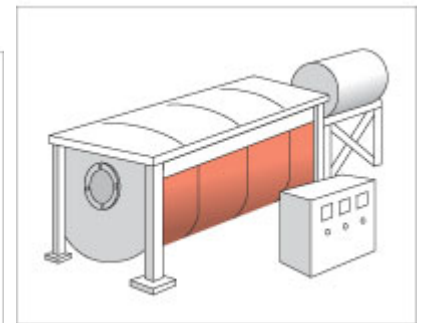
Cameras



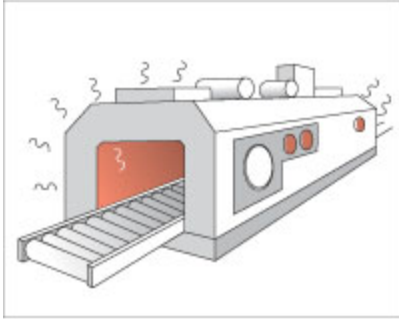
Photocopiers



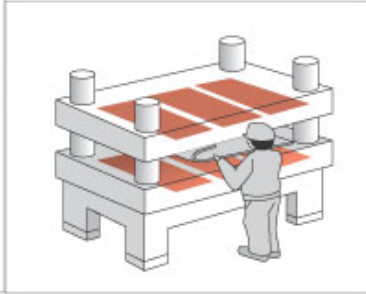
Dental Equipment



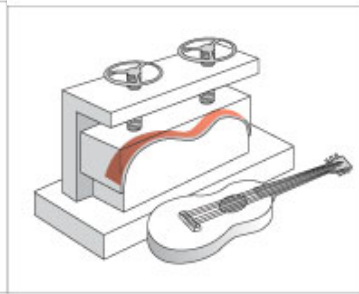
Composting



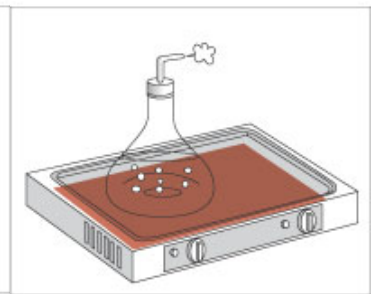
Ovens and Dryers



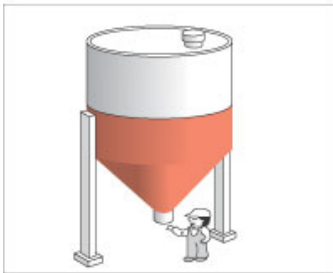
Hot Presses



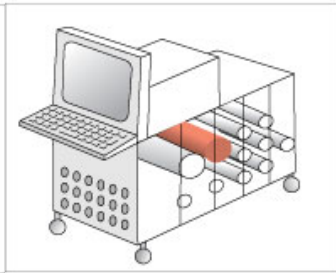
Guitar Forming



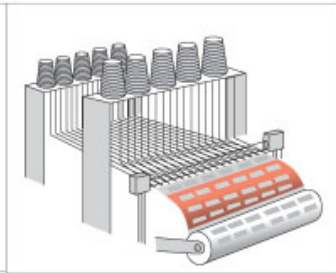
Medical Hotplates



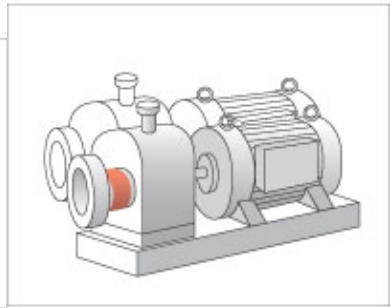
Silos and Hoppers



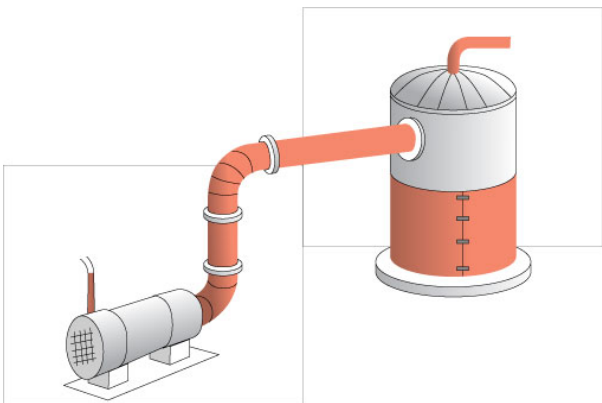
Xray Machines



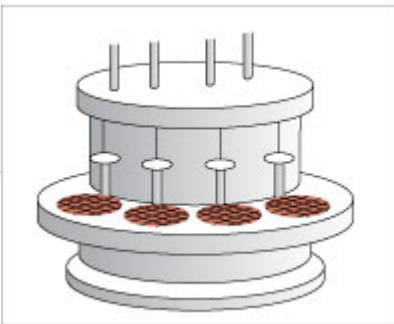
Weaving Machines



Industrial Pumps



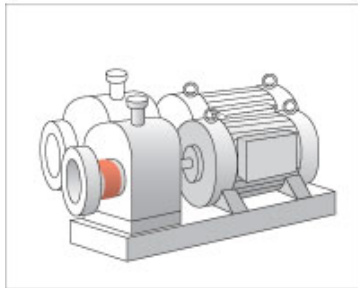
Semi Conductor-temperature maintenance for vacuum pipes



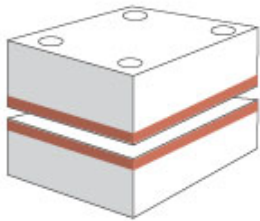
Semiconductors - Heating surfaces for wafer-resins.



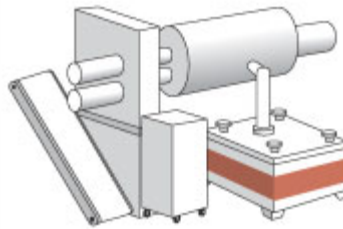
Heaters for rice polishing machines



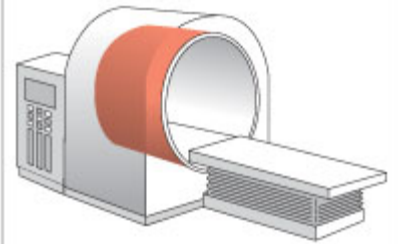
Pumps



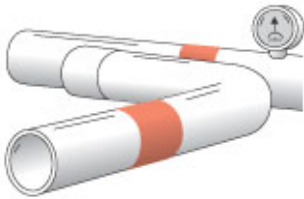
Platens and Molds



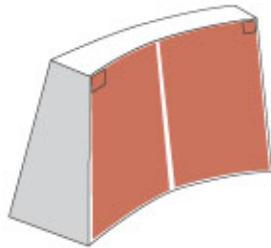
Oil Press



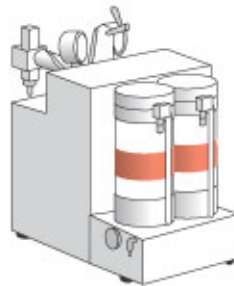
Magnetic Resonance Imaging (MRI)



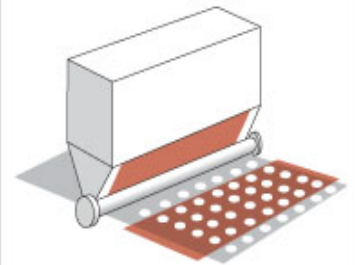
Pipe Tracing



Blankets for Concrete



Heating Various Liquids



Fabric & Cloth Applications



National Plastic Heater, Sensor and Control Inc.

sales@npheaters.com

Toll Free: 1-877-674-9744 (Canada and USA)

www.kapton-silicone-flexible-heaters.com

Visit our other sites below...

www.industrial-process-heaters.com

www.nphheaters.com

silicone flexible heaters, kapton heaters, silicone rubber heaters, kapton (polyimide) heaters, silicone heaters, silicone heating tapes, silicone drum heaters, explosion proof heaters, hazardous are heaters, Toronto, Canada