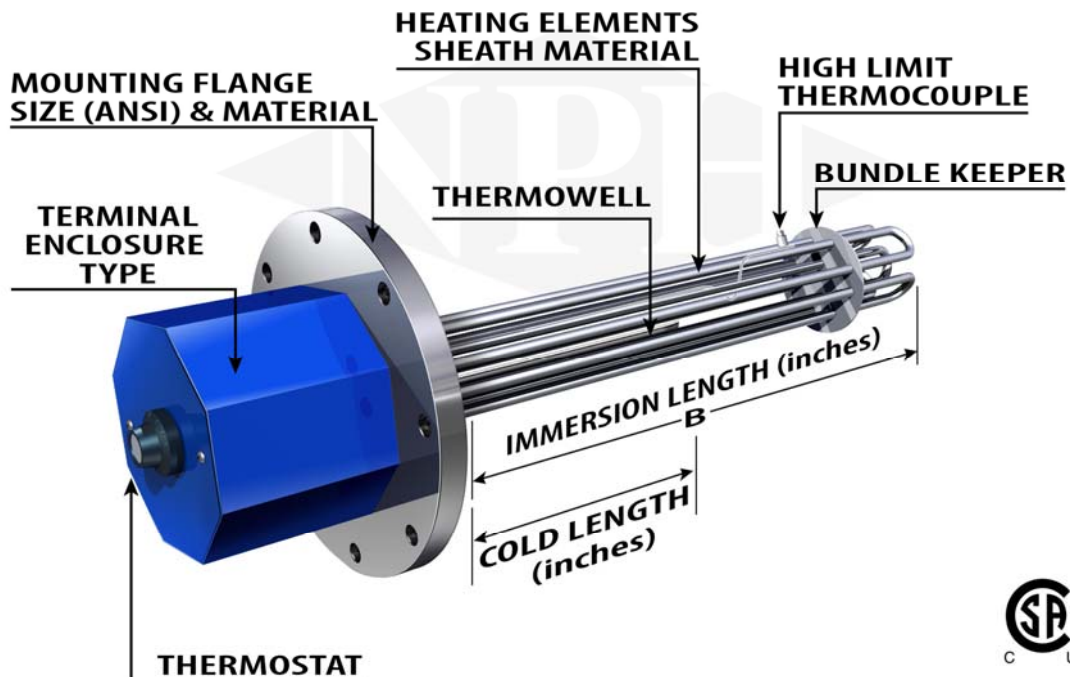




Flanged Immersion Heaters Description

FLANGED IMMERSION HEATER ORDERING INFORMATION

COMPLETE FORM BELOW



Flanged Immersion Heaters are used in large capacity vessels, for high temperature and pressure applications. Flanged Immersion Heaters are installed by bolting the unit to a matching flange welded to the vessel. Watt densities from 90 Watts/sq inch, Explosion Proof (NEMA7), Corrosion Resistant (NEMA 4X), General Purpose and Standoff Terminal housings are available. A number of sheath materials like Titanium, Incoloy, Stainless Steel, Steel, and Copper can be used as required for specific applications. Standard Flanged Immersion Heaters have a 150 lbs flanges but 300 lbs flanges are also available. To guarantee sheath material and watt density compatibility with material or process being heated consult NPH.

Flanged Immersion Heaters Features

- High watt densities, wattage's in smaller areas
- Passivated 316 stainless steel option
- Sheath temperatures to 1200°F
- Low watt densities possible for delicate applications
- ANSI flanges from 2" to 24" High
- pressure flanges 300 lbs Applications
- solids, liquids, gases.

Flanged Immersion Heaters Specifications / Options

Voltages. 120 to 600 Volts
Phase.....Single or Three
Wattage's. Varied from 150 watts to 1 Megawatt
Sheath Materials. Titanium, Monel, Incoloy, 316/304 Stainless, Steel Copper,
Carbon Steel
Max Temperatures. Incoloy 1600 degrees F (870 C)
304 / 316 Stainless Steel 1200 degrees F (650) Steel
750 degrees F (400 C)
Copper 350 degree F (175 C)

Flanges. ANSI or ASA 2, 21 /2, 3 4, 5, 6, 8,10,12,14,
16,18, 20, 24, or over 24 consult NPH
Pressure Rating. 150, 300 or 600 lbs
Flange Materials. Standard Carbon Steel or 316/304 Stainless Gaskets.
. Rubber, Asbestos Free, or Spiral wound Terminal Enclosures.
General Purpose (NEMA 1),
Moisture Resistant (NEMA 4),
Corrosion Resistant (NEMA 4X),
Explosion Resistant (NEMA 7),
Explosion Moisture Resistant (NEMA 7/4)
Temperature control. Thermocouple, RTD, or Thermostat High Limit.
. High Limit Thermocouple, Hi Limit Tstat, Approvals.
..CSA, UL
Certification. ASME, CRR



National Plastic Heater,
Sensor and Control Inc.

sales@nphheaters.com

www.nph-processheaters.com

Toll Free: 1-877-674-9744

Tel: 905-859-8225

Fax: 905-859-4691

Terms and conditions posted below apply:

www.nph-processheaters.com

